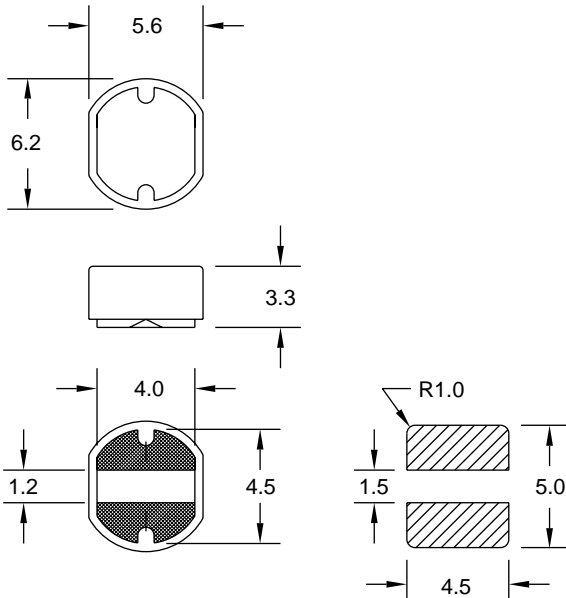


Shielded, SMT Power Inductors

Special Features

- Magnetic shielded for low radiation
- Ferrite bobbin core
- Low core loss for high frequency power application
- Compact size
- Large terminal surface for good PCB bonding
- Operating temperature -30 to +100°C
- Current to cause maximum 10% of inductance drop, or 40°C temperature rise
- Tape & reel packaged 1500/reel



Tol: ± 0.3
Dim: mm

Pad Layout

PM63S Series					
Part Number	L (uH) $\pm 20\%$	Test Freq.	SRF (MHz) Typ.	DCR (Ω) Max.	I, DC (A)
PM63S-100M	10	2.52 MHz	38	0.13	0.80
PM63S-120M	12	2.52 MHz	32	0.14	0.74
PM63S-150M	15	2.52 MHz	29	0.15	0.70
PM63S-180M	18	2.52 MHz	27	0.18	0.64
PM63S-220M	22	2.52 MHz	24	0.25	0.62
PM63S-270M	27	2.52 MHz	19	0.34	0.57
$\pm 15\%$					
PM63S-330L	33	2.52 MHz	17	0.37	0.52
PM63S-390L	39	2.52 MHz	17	0.39	0.45
PM63S-470L	47	2.52 MHz	16	0.43	0.40
PM63S-560L	56	2.52 MHz	14	0.50	0.37
PM63S-680L	68	2.52 MHz	13	0.53	0.35
PM63S-820L	82	2.52 MHz	12	0.75	0.32
$\pm 10\%$					
PM63S-101K	100	1 KHz	11	0.85	0.30

J.W. Miller
MAGNETICS